

FL1000

Customer Premises Fiber Termination Products



ADC's FL1000 customer premises fiber termination products include a variety of one and two door wall mount panels, as well as rack mount panels. These products are designed specifically to act as part of the fiber distribution system in an enterprise network or as the demarcation point for the service provider at the customer's location.

Recent improvements to labeling, grommets, door latches and ribbon pigtail routing reinforce the value these products bring to the physical layer of any network with higher quality and reliability, greater operational efficiencies, and network simplification.

Features:

- Quick installation
- Compact size
- Durability
- Single catalog number ordering
- Single package shipping

SPEC SHEET



www.adc.com • +1-952-938-8080 • 1-800-366-3891



FL1000 Fiber Termination Products

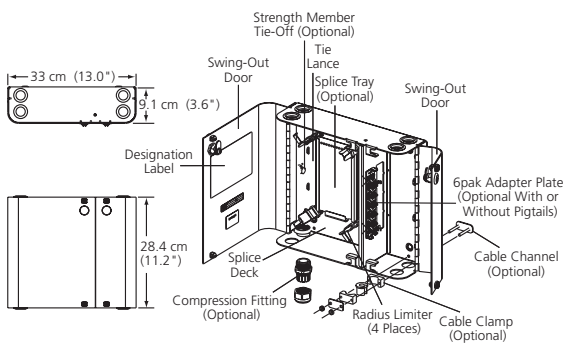
Two Door Wall Mount Boxes

The FL1000 two door, wall mount boxes feature a unique design and many integrated features such as:

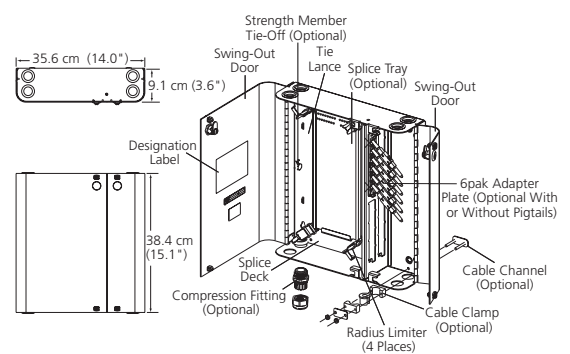
- Multiple, configurable locking options that allow users and service providers separate access for security
- Acceptance of strength member tie-off hardware
- Acceptance of cable clamps at each corner

Grounding screws, mounting screws, and dust caps are included with each panel. More accessories are available on page 12.

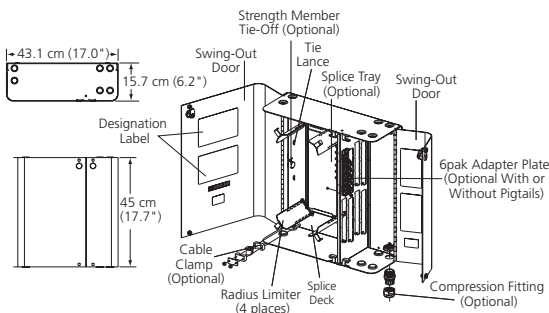
12-Position Termination/Splice Wall Box



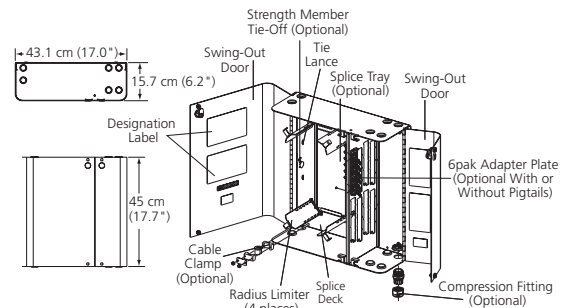
24-Position Termination/Splice Wall Box



48-Position Termination/Splice Wall Box



72-Position Termination/Splice Wall Box



1 / 0 6 • 1 0 1 6 2 5 A E FL1000 Fiber Termination Products



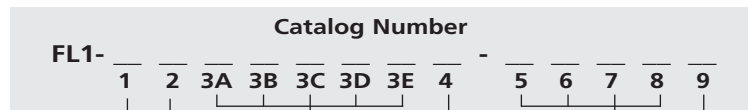
FL1000 Fiber Termination Products

Two Door Ordering Information

How to order an FL1000 two door wall mount box

1. Select wall box type
2. Select 6pak (with or without fiber) **not installed** in wall mount box (recommended for quicker availability)
OR Select 6pak (with or without fiber) **installed** in wall mount box
3. Select 6pak adapter type (if factory installed, choose placement in the wall mount box)
4. Select splice tray with chip
5. Select number of cable clamps (0-9)
6. Select number of compression fittings (0-9)
7. Select number of bonding grounding kits (0-9)
8. Select number of strength member tie-off kits (each wall box accepts 2, maximum) (0-9)
9. Select locks

1 / 0 6 • 1 0 1 6 2 5 A E FL1000 Fiber Termination Products



1. Wall Box Type

G	2-door, 12-position termination/splice wall box
H	2-door, 24-position termination/splice wall box
J	2-door, 48-position termination/splice wall box
P	2-door, 72-position termination/splice wall box

2. 6paks not Installed into Wall Box (with or without Fiber)

1	Adapters with pigtails (2 mm x 3 m)
2	Adapters only
5	6-fiber softwall bundle (3 m) (12 fiber for LX.5 or LC)
N	None/NA
H	50/125 Enhanced multimode
J	50/125 Enhanced multimode (300 m)
L	50/125 Enhanced multimode (550 m)

OR

2. 6paks Installed into Wall Box (with or without Fiber)*

3	Adapters with pigtails preinstalled into wall box (2 mm x 3 m)
4	Adapters preinstalled into wall box
6	6-fiber softwall bundle-installed (3 m) (12 fiber for LX.5 or LC)
9	12-fiber ribbon-installed (3 m)
I	50/125 Enhanced multimode
K	50/125 Enhanced multimode (300 m)
M	50/125 Enhanced multimode (550 m)

3X. Multimode and Singlemode 6pak Adapter/Connector Type

0	Blank
N	None/NA

Singlemode

7	SC ultra polish
E	SC duplex
4	ST® ultra polish
2	FC ultra polish
R	SC with zirconia sleeves
C	SC duplex with zirconia sleeves
P	ST® with zirconia sleeves
L	FC with zirconia sleeves
J	SC angled polish
F	FC angled polish
K	E-2000 angled polish
B	SC Duplex with angled polish
X	LX.5®
8	LC

Multimode

9	SC
D	SC duplex
5	ST®
A	FC
Y	LX.5®
6	LC

*Use the guides on the next page for placement of factory-installed 6paks. Place the desired connector or adapter type (from guide above) above the corresponding location designation of 3A, 3B, 3C, 3D or 3E. The diagram illustrates the location of each 6pak within the bulkhead.

9. Locks

Numerous locking options are available for separate user and service provider access. Choose the combination appropriate for your security needs.

N	None
A	(2) A keys
B	(2) B keys
C	(1) A key, (1) B key
D	(1) A key
E	(1) B key

Accessories

Enter the desired quantity (0-9) above the corresponding accessory.

5	Cable clamp
6	Compression fittings
7	Bonding grounding kit
8	Strength member tie-off

4. Splice Tray with Chip

12 pos tray

1	Bare fusion
2	Heat shrink
3	Mechanical
4	Rotary
6	FibrLok®
7	Nortel QPAK
8	Raychem
A	ANT
N	None

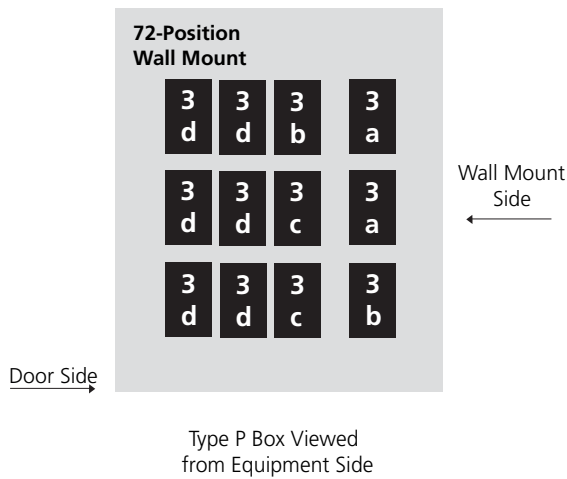
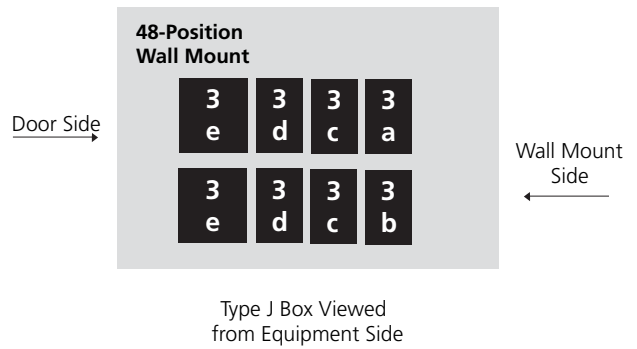
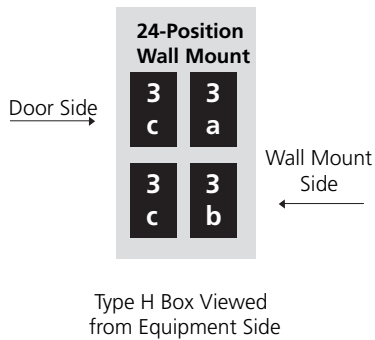
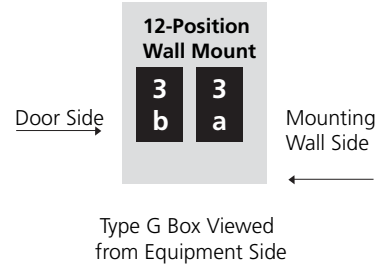
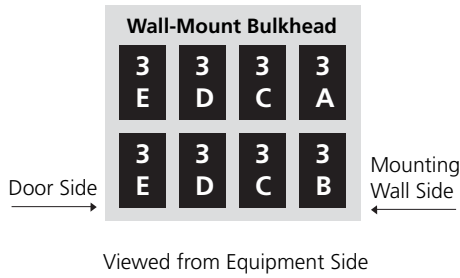


FL1000 Fiber Termination Products

Two Door Ordering Information

Note: All configured wall boxes will have adapter packs loaded starting from the wall side.

1 / 0 6 • 1 0 1 6 2 5 A E FL1000 Fiber Termination Products





FL1000 Fiber Termination Products

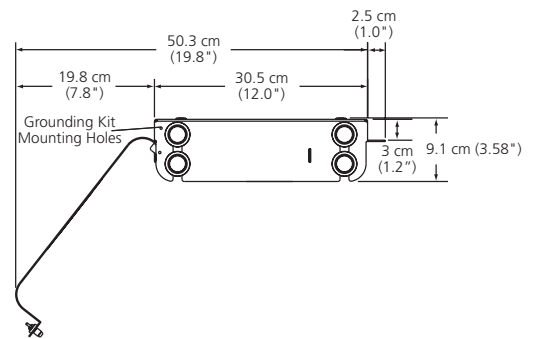
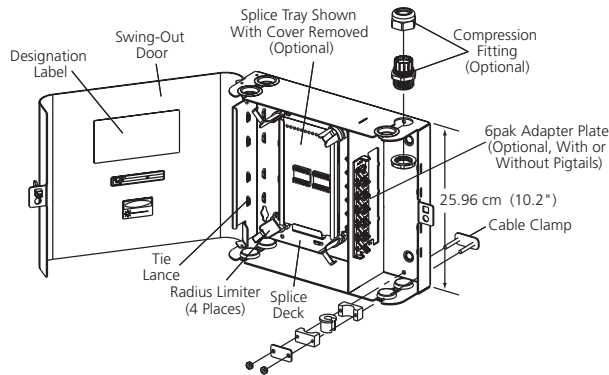
One Door Wall Mount Boxes

The FL1000 one door, wall mount boxes feature a unique design and many integrated features such as:

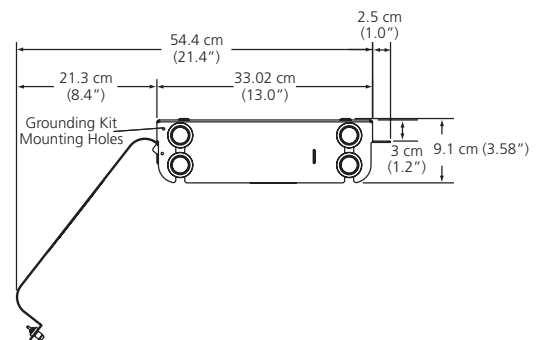
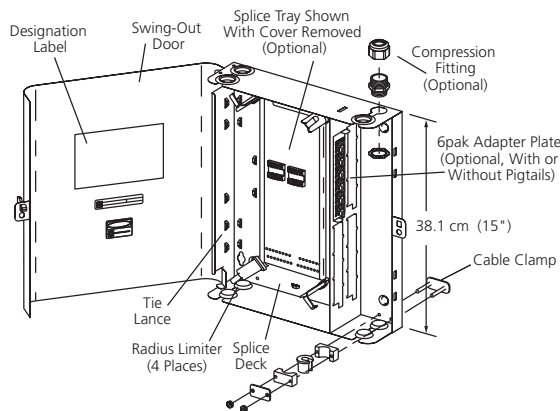
- Numerous cable tie points within the panels
- Ability to accept hasp-style locks
- Acceptance of cable clamps at each corner

Grounding screws, mounting screws, and dust caps are included with each panel. More accessories are available on page 12.

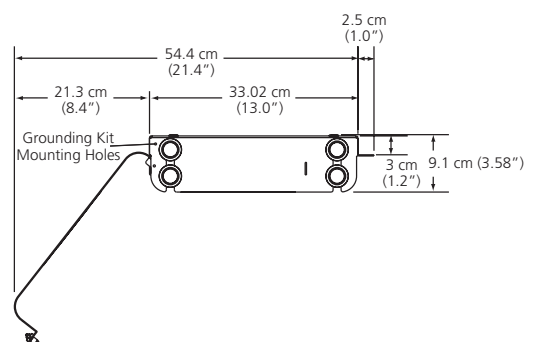
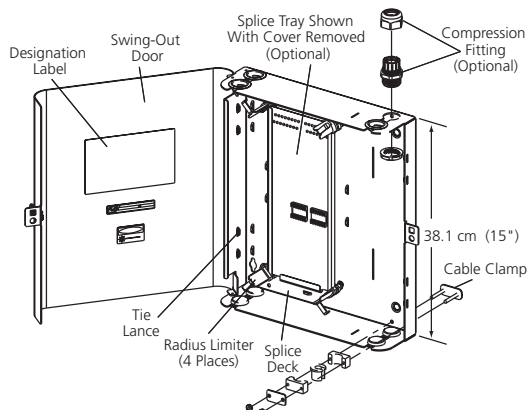
12-Position Termination/Splice Wall Box



24-Position Termination/Splice Wall Box



48-Position Splice Wall Box



1 / 0 6 • 1 0 1 6 2 5 A E FL1000 Fiber Termination Products



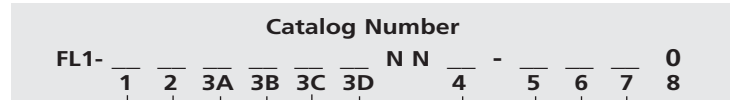
FL1000 Fiber Termination Products

One Door Ordering Information

1 / 0 6 • 1 0 1 6 2 5 A E FL1000 Fiber Termination Products

How to order an FL1000 one door wall mount box

1. Select wall box type
2. Select 6pak (with or without fiber) not installed in wall mount box OR
Select 6pak (with or without fiber) installed in wall mount box
3. Select 6pak adapter type (if factory installed, choose placement in the wall mount box)
4. Select splice tray with chip
5. Select number of cable clamps (0-9)
6. Select number of compression fittings (0-9)
7. Select number of bonding grounding kits (0-9)



1. Wall Box Type

A	1-door, 12-position termination/splice wall box
B	1-door, 24-position termination/splice wall box
C	1-door, 48-position splice-only wall box

2. 6paks not Installed into Wall Box (with or without Fiber)

1	Adapters with pigtails (2 mm x 3 m)
2	Adapters only
5	6-fiber softwall bundle (3 m) (12 fiber for LX.5 or LC)
N	None/NA
H	50/125 Enhanced multimode
J	50/125 Enhanced multimode (300 m)
L	50/125 Enhanced multimode (550 m)

OR

2. 6paks Installed into Wall Box (with or without Fiber)*

3	Adapters with pigtails preinstalled into wall box (2 mm x 3 m)
4	Adapters preinstalled into wall box
6	6-fiber softwall bundle-installed (3 m) (12 fiber for LX.5 or LC)
9	12-fiber ribbon-installed (3 m)
I	50/125 Enhanced multimode
K	50/125 Enhanced multimode (300 m)
M	50/125 Enhanced multimode (550 m)

3X. Multimode and Singlemode 6pak Adapter/Connector Type

0	Blank
N	None/NA

Singlemode

7	SC ultra polish
E	SC duplex
4	ST® ultra polish
2	PCFC
R	SC with zirconia sleeves
C	SC duplex with zirconia sleeves
P	ST® with zirconia sleeves
L	FC with zirconia sleeves
J	SC angled polish
F	FC angled polish
K	E-2000 angled polish
B	SC Duplex with angled polish
X	LX.5®
8	LC

Multimode

9	SC
D	SC duplex
5	ST®
A	FC
Y	LX.5®
6	LC

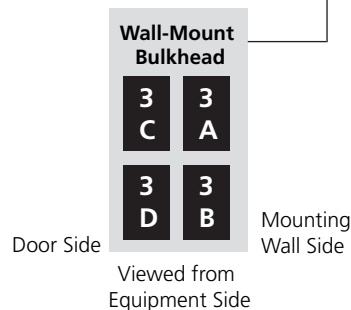
Accessories

Enter the desired quantity (0-9) above the corresponding accessory.

5	Cable clamp
6	Compression fittings
7	Bonding grounding kit

4. Splice Tray with Chip 12 pos. tray

1	Bare fusion
2	Heat shrink
3	Mechanical
4	Rotary
6	FibrLok®
7	Nortel QPAK
8	Raychem
A	ANT
N	None



*Use the guide above for placement of factory-installed 6paks. Place the desired connector or adapter type above the corresponding location designation of 3A, 3B, 3C or 3D. The diagram illustrates the location of each 6pak within the bulkhead.

**Requires zip cable



FL1000 Fiber Termination Products

NEMA 4x-Classified Wall Mount Box

FL1000 Fiber Termination Products
1 / 0 6 • 1 0 1 6 2 5 A E



ADC's FL1000-K is designed for use in environmentally unfriendly locations. The wall-mount box is classified as a NEMA 4x, ideal for manufacturing environments that have airborne particles. The box is constructed from heavy gauge aluminum and painted with a fade-resistant finish. Four 1" holes are equipped with hole plugs factory-installed, eliminating the need for the craftsman to cut any entry or exit holes in the box.

It is recommended that the FL1000-K be used with multifiber cable assemblies for both the incoming and exiting fiber.

The FL1000 NEMA box includes these standard features:

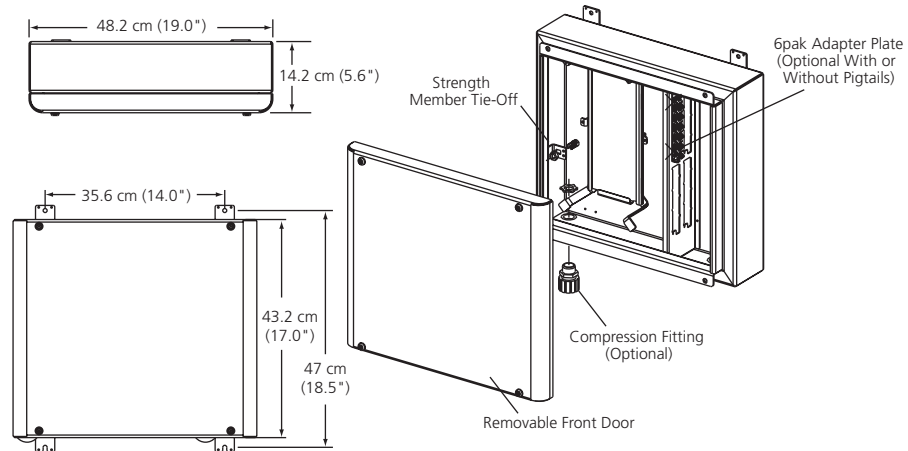
- Two cable strength member tie-off kits
- Stainless mounting hardware
- Tool for removal of front door



Compression fitting (optional) and hole plug (factory-installed)



Strength member tie-off





FL1000 Fiber Termination Products

NEMA 4x-Classified Wall Mount Box Ordering Information

How to order an FL1000 4x rated wall mount box

1. Select wall box type
2. Select 6pak (with or without fiber) not installed in wall mount box OR
Select 6pak (with or without fiber) installed in wall mount box
3. Select 6pak adapter type (if factory installed, choose placement in the wall mount box)
4. Select splice tray with chip
5. No cable clamps are needed
6. Select number of compression fittings (0-9)
7. Select number of bonding grounding kits (0-9)
8. (2) strength member tie-offs are included
9. No locks are available

1/06 • 101625AE FL1000 Fiber Termination Products

FL1- K 1 2 3A 3B 3C N N 4 - 0 6 7 2 0
1 2 3A 3B 3C 4 5 6 7 8 9

1. Wall Box Type

K	24 termination/splice wall
---	----------------------------

2. 6paks not Installed into Wall Box (with or without Fiber)

1	Adapters with pigtails (2 mm x 3 m)
2	Adapters only
5	6-fiber softwall bundle (3 m) (12 fiber for LX.5 or LC)
N	None/NA
H	50/125 Enhanced multimode
J	50/125 Enhanced multimode (300 m)
L	50/125 Enhanced multimode (550 m)

OR

2. 6paks Installed into Wall Box (with or without Fiber)*

3	Adapters with pigtails preinstalled into wall box (2 mm x 3 m)
4	Adapters preinstalled into wall box
6	6-fiber softwall bundle-installed (3 m) (12 fiber for LX.5 or LC)
9	12-fiber ribbon-installed (3 m)
I	50/125 Enhanced multimode
K	50/125 Enhanced multimode (300 m)
M	50/125 Enhanced multimode (550 m)

3X. Multimode and Singlemode 6pak Adapter/Connector Type

0	Blank
N	None/NA

Singlemode

7	SC ultra polish
E	SC duplex
4	ST® ultra polish
2	PCFC
R	SC with zirconia sleeves
C	SC duplex with zirconia sleeves
P	ST® with zirconia sleeves
L	FC with zirconia sleeves
J	SC angled polish
F	FC angled polish
K	E-2000 angled polish
B	SC Duplex with angled polish
X	LX.5®
8	LC

Multimode

9	SC
D	SC duplex
5	ST®
A	FC
Y	LX.5®
6	LC

Standard Accessories

8	(2) Strength member tie-offs are included
---	---

Accessories

Enter the desired quantity (0-9) above the corresponding accessory.

6	Compression fittings
7	Bonding grounding kit

4. Splice Tray with Chip

12 pos. tray

1	Bare fusion
2	Heat shrink
3	Mechanical
4	Rotary
6	FibrLok®
7	Nortel QPAK
8	Raychem
A	ANT
N	None

Wall-Mount Side View



Door Side

Mounting Wall Side

Viewed from Equipment Side

*Use the guide to the left for placement of factory-installed 6paks. Place the desired connector or adapter type above the corresponding location designation of 3A, 3B, 3C or 3D. The diagram illustrates the location of each 6pak within the bulkhead.

**Requires zip cable



FL1000 Fiber Termination Products

Rack Mount Panels

Limited floor space and smaller fiber counts often dictate that multiple pieces of communications apparatus share common equipment racks. The FL1000 is designed to be mounted within standard 19-inch or 23-inch EIA equipment racks. Standard flush-mount capability also makes this panel well-suited to cabinet installations.

The left/right orientation of the individual angled adapters and retainers allows the easy exit of the jumpers from the panel. A removable rear door on the 24-position panels allows efficient access the interior of the panel for the routing and termination of fiber cables. The 12-position panel is 1.75 inches high and features a sliding bulkhead drawer to accommodate easy access within the panel.

The FL1000 fanning panel, used in conjunction with the FL1000 rack-mount panels and their left/right orientation, offers an effective and safe means of routing jumpers within a multiuse communications rack.



12-Position Rack Mount

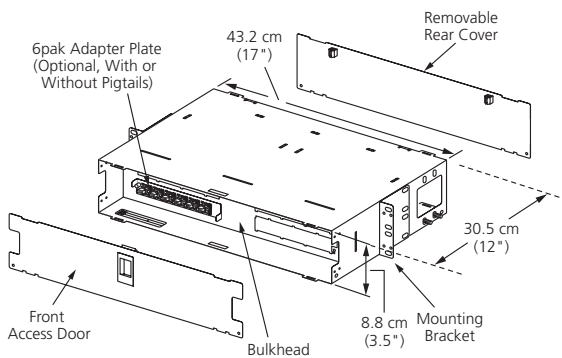


24-Position Rack Mount

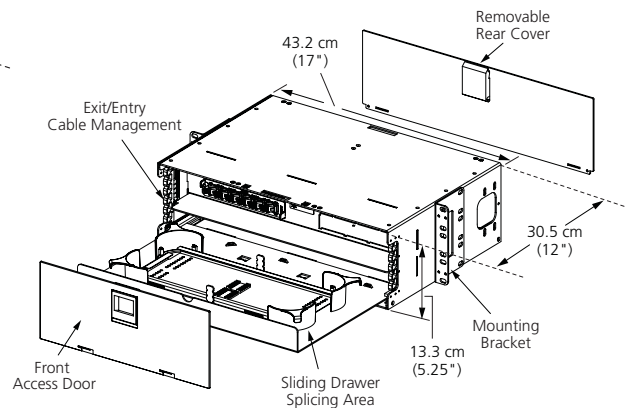


FL1-FPL

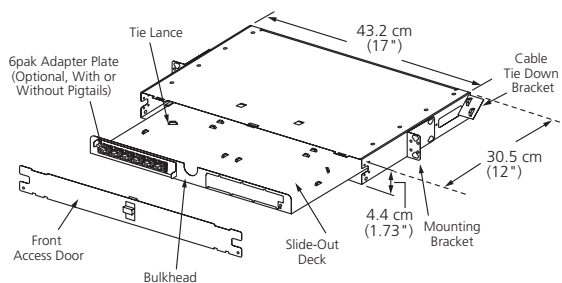
Designed to route optical cables left and right from the front of the FOT to the FL1000 6paks



24-Position Rack Mount Panel



24-Position Termination/Splice Rack Mount Panel



12-Position Rack Mount Panel

1 / 0 6 • 1 0 1 6 2 5 A E FL1000 Fiber Termination Products



FL1000 Fiber Termination Products

Rack Mount Panels Ordering Information

How to order an FL1000 rack mount panel

1. Select panel type
2. Select 6pak (with or without fiber) not installed in panel OR
Select 6pak (with or without fiber) installed in panel
3. Select 6pak adapter type (if factory installed, choose placement in the panel)
4. Select splice tray with chip
5. Select number of cable clamps (0-9)
6. Select number of compression fittings (0-9)
7. Select number of bonding grounding kits (0-9)
8. Select number of radius limiters (0-9). Not used in flush mount applications.

1 / 0 6 • 1 0 1 6 2 5 A E FL1000 Fiber Termination Products

FL1- 1 2 3A 3B 3C 3D 3E N 4 - 5 6 7 8 0

1. Rack Mount Type

D	12-position termination rack-mount panel
E	24-position termination rack-mount panel
F	24-position termination/splice rack-mount panel (B)
R	24-position termination/splice rack-mount panel (P)

2. 6paks not Installed into Wall Box (with or without Fiber)

1	Adapters with pigtails (2 mm x 3 m)
2	Adapters only
5	6-fiber softwall bundle (3 m) (12 fiber for LX.5 or LC)
N	None/NA
H	50/125 Enhanced multimode
J	50/125 Enhanced multimode (300 m)
L	50/125 Enhanced multimode (550 m)

OR

2. 6paks Installed into Wall Box (with or without Fiber)*

3	Adapters with pigtails preinstalled into wall box (2 mm x 3 m)
4	Adapters preinstalled into wall box
6	6-fiber softwall bundle-installed (3 m) (12 fiber for LX.5 or LC)
9	12-fiber ribbon-installed (3 m)
I	50/125 Enhanced multimode
K	50/125 Enhanced multimode (300 m)
M	50/125 Enhanced multimode (550 m)

3X. Multimode and Singlemode 6pak Adapter/Connector Type

0	Blank
N	None/NA

Singlemode

7	SC ultra polish
E	SC Duplex
4	ST® ultra polish
2	FC ultra polish
R	SC with zirconia sleeves
C	SC Duplex with zirconia sleeves
P	ST® with zirconia sleeves
L	FC with zirconia sleeves
J	SC angled polish
F	FC angled polish
K	E-2000 angled polish
B	SC Duplex angled polish
X	LX.5
8	LC

Multimode

9	SC
D	SC Duplex
5	ST®
A	FC
Y	LX.5
6	LC

Accessories

Enter the desired quantity (0-9) above the corresponding accessory.

5	Cable clamp*
6	Compression fittings
7	Bonding/grounding kit
8	Radius limiters (set of 2)

4. Splice Tray with Chip

Number of splice trays received depends on amount of 6paks used:
1-2 6paks = 1 splice tray
3-4 6paks = 2 splice trays

1	Bare fusion
2	Heat shrink fusion
3	Mechanical
4	Rotary
6	FibrLok®
7	Nortel QPAK
8	Raychem
A	ANT
N	None

Rack-Mount Front View

*Use the guide to the left for placement of factory-installed 6paks. Place the desired connector or adapter type above the corresponding location designation of 3A, 3B, 3C or 3D. The diagram illustrates the location of each 6pak within the bulkhead.

**Not available on FL1-D panel

ADC does not recommend use of LX.5® on LC adapter connectors in FL1000 rack mount panels. For rack mount panels with cable management to support small-form factor-connectors higher density, please see our catalog 803 (FL2000 Products)



FL1000 Fiber Termination Products

Termination with IFC/OSP Cable

1/06 • 101625AE FL1000 Fiber Termination Products

How to order an FL1000 rack mount panel with Multi-Fiber IFC/OSP

1. Select panel type
2. Select near end connector style
3. Select far end connector style
4. Select cable size
5. Select cable type
6. Select entrance point
7. Select cable length
8. Select locking options



1. Panel Type

A	12-position 1 door wall box
B	24-position 1 door wall box
D	12-position termination rack mount
E	24-position termination rack mount
G	12-position 2 door wall box
H	24-position 2 door wall box
J	48-position 2 door wall box
P	72-position 2 door wall box
K	24-position 1 door NEMA wall box

2/3. Near End/Far End Connector Style

Singlemode

7	SC ultra polish
E	SC Duplex
4	ST® ultra polish
2	FC ultra polish
R	SC with zirconia sleeves
C	SC Duplex with zirconia sleeves
P	ST® with zirconia sleeves
L	FC with zirconia sleeves
J	SC angled polish
F	FC angled polish
K	E-2000 angled polish
B	SC Duplex angled polish
X	LX.5
8	LC

Multimode

9	SC
D	SC Duplex
5	ST®
A	FC
Y	LX.5
6	LC

4. Cable Size

1	12
2	24
3	36
4	48
7	72
9	96
A	144
Z	2x12
Y	2x24
X	2x36
W	2x48

7. Length

8. Locks

(Panels G, H, J, S, M, P, R)

Svc Provider	Customer	Blank
A	A	B
B	B	B
C	A	B
D	A	A
E	A	None
F	B	None
G	None	B
N	None	A
J	None	None
K	Scrwdrv	Scrwdrv
H	Hex	None

(Panels A, B, D, E, K)

Svc Provider	Customer	Blank
None	None	None

6. Entrance Point

1	Bottom left
2	Top left
3	Top right (rack mount only)
4	Bottom right (rack mount only)
5	Cable 1 up, cable 2 down, both left
6	Cable 1 up, cable 2 down, both right (rack mount only)

5. Cable Type

NA	SM IFC Stranded Corning
NF	SM IFC Stranded Plenum
NJ	SM OSP Stranded Dielectric
NG	SM OSP Stranded Sgl Armor
NK	SM OSP Ribbon Dielectric
NH	SM Indr/Outdr Stranded (36 fibers and up)
NC	MM IFC STranded 62.5/125

FL1000 Fiber Termination Products

6pak Adapter Packs



6pak with fiber



6pak without fiber

Flexibility for future growth:
To add capacity to an existing FL1000 panel, simply order the appropriate 6pak.

Ordering Information

Description	Catalog Number
Multimode (62.5/125)	
SC	FL2-6PMMSC
Duplex SC	FL2-6PMMDSC
ST®	FL2-6PMMST
FC	FL2-6PMMFC
LX.5°	FL2-6PMMXL
LC	FL2-6PMMXL
Singlemode	
SC	FL2-6PSMSC
Duplex SC	FL2-6PSMDSC
ST®	FL2-6PSMST
FC	FL2-6PSMFC
SC (with zirconia sleeve)	FL2-6PSMSC-Z
Duplex SC (with zirconia sleeve)	FL2-6PSMDSC-Z
ST® (with zirconia sleeve)	FL2-6PSMST-Z
FC (with zirconia sleeve)	FL2-6PSMFC-Z
SC angled 8°	FL2-6PSMASC
FC angled 8°	FL2-6PSMAFC
E-2000 angled 8°	FL2-6PSMAE2
Duplex SC angled 8°	FL2-6PSMDASC
LX.5°	FL2-6PSMLX
LC	FL2-6PSMLC
Multimode (50/125)	
SC	FL1-6P9CC003
Duplex SC	FL1-6PDCC003
ST®	FL1-6P5CC003
FC	FL1-6PACC003
LX.5°	FL1-6P7CC003
LC	FL1-6P6CC003
Multimode (62.5/125)	
SC	FL1-6P9BC003
Duplex SC	FL1-6PDBC003
ST®	FL1-6P5BC003
FC	FL1-6PABC003
LX.5°	FL1-6PYBC003
LC	FL1-6P6BC003
Singlemode	
SC	FL1-6P7SC003
Duplex SC	FL1-6PESC003
ST®	FL1-6P4SC003
FC	FL1-6P2SC003
SC (with zirconia sleeve)	FL1-6PRSC003
Duplex SC (with zirconia sleeve)	FL1-6PCSC003
ST® (with zirconia sleeve)	FL1-6PPSC003
FC (with zirconia sleeve)	FL1-6PLSC003
SC angled 8°	FL1-6PJSC003
FC angled 8°	FL1-6PFSC003
E-2000 angled 8°	FL1-6PKSC003
Duplex SC angled 8°	FL1-6PBSC003
LX.5°	FL1-6PXBC003
LC	FL1-6P8SC003

Ordering Information

Description	Catalog Number
Compression fitting	FL1-ACC001
Compression fitting with plate	FL1-ACC006
Radius limiters (set of 2 for use with rack-mount panels)	FL1-ACC002
Strength member tie-off kit	FL1-ACC003
NEMA box access tool	FL1-ACC004
Cable clamp	ACE/AGX-KEY
Bonding grounding kit	FL2-ACC004
Lock and Key Type A	IPA-K1
Lock and Key Type B	IPA-K2
Mini-splice tray (used only in 12-position, wall-mount box)	
Bare fusion	FL1-M-FT
Heat shrink fusion	FL1-M-HS
Mechanical (Elastomeric)	FL1-M-MT
Rotary	FL1-M-RT
FibrLok®	FL1-M-3M
Northern Telecom QPAK	FL1-M-NT
Standard splice tray	
Bare fusion	FST-FT
Heat shrink fusion	FST-HS
Mechanical (Elastomeric)	FST-MT
Rotary	FST-RT
FibrLok®	FST-3M
Northern Telecom QPAK	FST-NT
Raychem universal chip	FST-RCM

SPEC SHEET



Web Site: www.adc.com

From North America, Call Toll Free: 1-800-366-3891 • Outside of North America: +1-952-938-8080
Fax: +1-952-917-3237 • For a listing of ADC's global sales office locations, please refer to our web site.

ADC Telecommunications, Inc., P.O. Box 1101, Minneapolis, Minnesota USA 55440-1101
Specifications published here are current as of the date of publication of this document. Because we are continuously improving our products, ADC reserves the right to change specifications without prior notice. At any time, you may verify product specifications by contacting our headquarters office in Minneapolis. ADC Telecommunications, Inc. views its patent portfolio as an important corporate asset and vigorously enforces its patents. Products or features contained herein may be covered by one or more U.S. or foreign patents. An Equal Opportunity Employer

101625AE 1/06 Revision © 1998, 2000, 2001, 2003, 2004, 2005, 2006 ADC Telecommunications, Inc.
All Rights Reserved